


# SPEAKER MOUNTING BRACKET

# SP-420

Please follow the instructions in this manual to obtain the optimum results from this unit.  
We also recommend that you keep this manual handy for future reference.


## 1. SAFETY PRECAUTIONS

- Be sure to read the instructions in this section carefully before use.
- Make sure to observe the instructions in this manual as the conventions of safety symbols and messages regarded as very important precautions are included.
- We also recommend you keep this instruction manual handy for future reference.



**WARNING** Indicates a potentially hazardous situation which, if mishandled, could result in death or serious personal injury.

- Install the bracket only in a location that can structurally support the weight of the bracket and the speaker as well (approximately 3.5 kg in total). Doing otherwise may cause the speaker to fall off, resulting in personal injury.
- Do not use other methods than specified to mount the bracket. Extreme force is applied to the unit and the unit could fall off, possibly resulting in personal injuries.
- Tighten each nut and bolt securely. Ensure that the bracket has no loose joints after installation to prevent accidents that could result in personal injury.



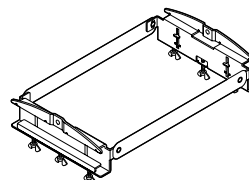
**CAUTION** Indicates a potentially hazardous situation which, if mishandled, could result in moderate or minor personal injury, and/or property damage.

- Have the unit periodically checked by the shop from where it was purchased. Failure to do so could result in the speaker falling off due to damage or corrosion to the speaker or its mounts, and possible personal injury.

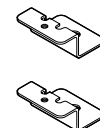
## 2. GENERAL DESCRIPTION

The SP-420 is a bracket designed to be exclusively used for mounting TOA's BS-1030W Universal Speaker in a wall or ceiling. The bracket's feature to pinch the panel permits it to even be mounted in the plaster or plywood wall or ceiling panel. It can be mounted in the panel that is approximately 5 – 24 mm thick.

## 3. BRACKET COMPOSITION



**Mounting bracket  
(with butterfly bolt)**



**Mounting clip  
(2 pieces)**

### • Accessory screws

- For mounting clip fixing
  - M5x10 machine screw ..... 2
  - M5 plain washer ..... 2
- For speaker mounting
  - M5x15 Allen screw ..... 2
  - M5 plain washer ..... 2
- For mounting bracket fixing
  - M4x40 butterfly bolt ..... 6

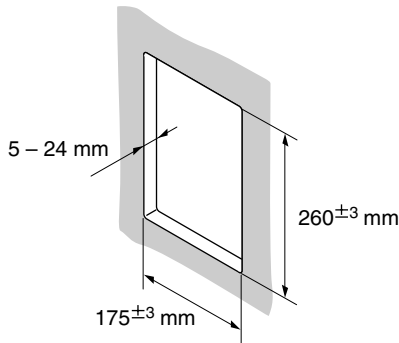
**Note:** Six butterfly bolts are screwed into the mounting bracket by the factory.

## 4. SPEAKER MOUNTING

**Note: Prepare an Allen wrench before beginning to mount the speaker.**

An Allen wrench (distance of 4 mm between sides opposite to each other) is required for tightening Allen screws (M5).

**Step 1.** Make a mounting hole in the wall or ceiling.  
(The figure assumes that the speaker is installed vertically.)



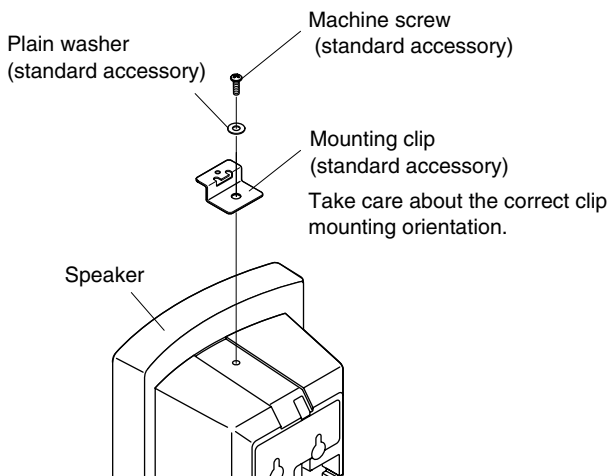
**Note**

Each of 4 corners of the hole needs to be smaller than 5 mm in radius. Exceeding this limit could cause the bracket to contact the corner, and prevent it from being mounted in the wall or ceiling.

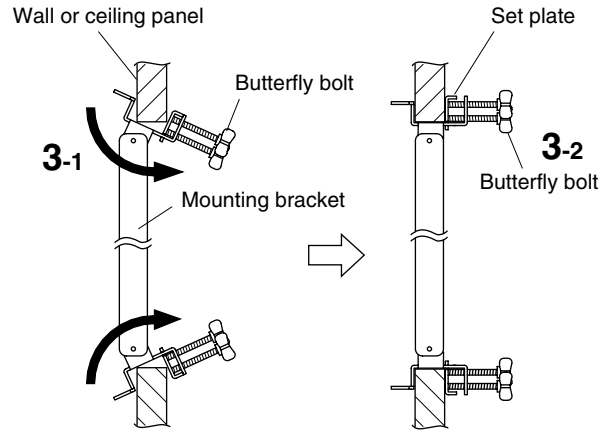


**WARNING** Install the bracket only in a location that can structurally support the weight of the bracket and the speaker as well (approximately 3.5 kg in total). Doing otherwise may cause the speaker to fall off, resulting in personal injury.

**Step 2.** Using the hardware supplied with the speaker, attach the mounting clip to the speaker.



**Step 3.** Mount the bracket in the wall or ceiling.

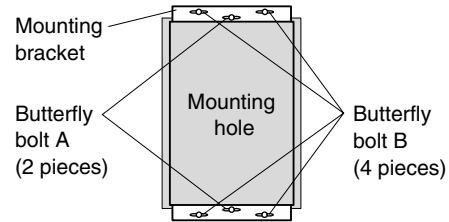


**Step 3-1.** Fully loosen all butterfly bolts (6 pieces) and rotate the bracket clamp in the arrow-indicated direction so that the wall (ceiling) panel is placed between the clamp frame and the set plate.

**Step 3-2.** Retighten the six butterfly bolts in the following order to pinch the panel securely by means of the set plate.

**Butterfly bolt tightening order (figure as viewed from the hidden side of the panel)**

- (1) Tighten butterfly bolt A (2 pieces).
- (2) Tighten butterfly bolt B (4 pieces).



**Step 4.** Connect the speaker cable.

**Step 5.** Push the speaker onto the bracket opening (in the arrow-indicated direction), then fix it securely using the hardware.

